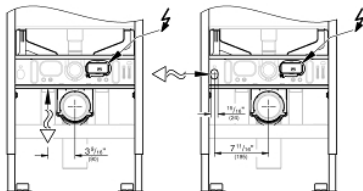
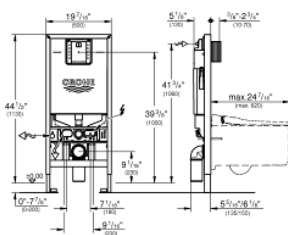


39 602 000 RAPID SLX ELEMENT FOR WC, 1.13 M INSTALLATION HEIGHT WITH INTEGRATED SOCKET



PRODUCT DESCRIPTION (1/2)

- flushing cistern GDX, 6 l
- with integrated socket for shower toilets (power)
- ready for shower toilets (water)
- small revision shaft for small flush plates
- For on-the-wall installations or studded walls
- Powder coated steel frame, self-supporting
- For dry-cladding, completely pre-assembled
- without outlet pipe
- with fixed connections
- quick adjustment, lockable
- Fixing material
- TÜV approved
- approved for US
- 2 WC fixing bolts
- Fixing device for ceramic
- Distance of fixing bolts 180/230 mm
- Outlet bend Ø 90 mm
- Depth adjustable
- Reducer Ø 90/110 mm
- Inlet and outlet connecting set
- flushing cistern GDX, 6 l, containing following features:
 - Adjustment ex factory 6 l and 3 l
 - Pneumatic discharge valve offering 3 modes of operation: dual flush or start/stop or single flush
 - water supply from right, back or top
 - Low noise (group I acc. to German Noise Specification)
 - fully insulated against condensation
 - ½" water supply connection including integrated angle valve and push fit flexible hose union
- No tools required for the installation of the inspection shaft including protection during construction phase
- for vertical use



Pure Freude
an Wasser

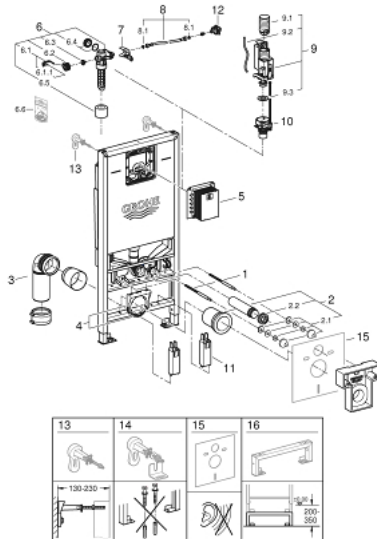


39 602 000 **RAPID SLX ELEMENT FOR WC, 1.13 M INSTALLATION HEIGHT WITH INTEGRATED SOCKED**

PRODUCT DESCRIPTION (2/2)

- for on-the-wall installation please order wall brackets 38 558 00M (sold separately)
- including flow manager
- reduces flow of the flush
- prevents overspill in rimless toilets
- easy flow regulation via inspection shaft without removing the valves

39 602 000 RAPID SLX ELEMENT FOR WC, 1.13 M INSTALLATION HEIGHT WITH INTEGRATED SOCKED



SPARE PARTS, January 2020 – spareParts.validDate.now

- 1: Threaded screw (Order-nr. 4276400M)
 - 2: WC inlet and outlet connecting set (Order-nr. 37311K00)
 - 2.1: Bath faucet fastener (Order-nr. 43511SH0)
 - 2.2: Connector (Order-nr. 37119000)
 - 3: PP-outlet elbow (DN 90) (Order-nr. 42327000)
 - 4: Support for outlet (Order-nr. 42243000)
 - 5: Revision shaft for small flush plates (Order-nr. 40911000)
 - 6: filler valve US (Order-nr. 42485000)
 - 6.1: Lever (Order-nr. 43734000)
 - 6.1.1: Seal (Order-nr. 4377000M)
 - 6.2: Valve head (Order-nr. 43536000)
 - 6.3: Membrane (Order-nr. 4375800M)
 - 6.4: Screw cap (Order-nr. 43735000)
 - 6.5: Valve float (5 pcs) (Order-nr. 4379100M)
 - 6.6: Dummy plug and escutcheon cap (Order-nr. 37125000)
 - 6.7: Compression nut (Order-nr. 43258000)
 - 6.8: Throttle (Order-nr. 42356000)
 - 6.9: Set of seals (Order-nr. 43722000)*
 - 7: Support unit (Order-nr. 42246000)
 - 8: Connection tube (Order-nr. 42233000)
 - 8.1: O-ring (Order-nr. 0319100M)
 - 9: Dual Flush discharge valve AV1 (Order-nr. 42320000)
 - 9.1: extension for Overflow pipe (Order-nr. 42313000)
 - 9.2: pneumatic hose (Order-nr. 42319000)
 - 9.3: Seal (Order-nr. 42310000)
 - 10: Valve seat (Order-nr. 42593000)
 - 11: Accessories (Order-nr. 39607000)
 - 12: Wall brackets (Order-nr. 3855800M)*
 - 13: Xtra wall brackets, flexible placing (Order-nr. 38733000)*
 - 14: Set for noise protection (Order-nr. 37131000)*
 - 15: Extension for Rapid SL and Rapid SLX (Order-nr. 38629001)*
- * Optional accessories