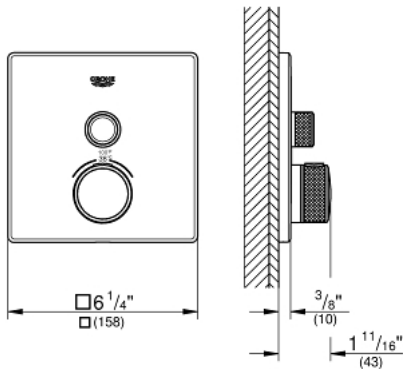


29 140 000 GROHTHERM SMARTCONTROL THERMOSTAT FOR CONCEALED INSTALLATION WITH ONE VALVE

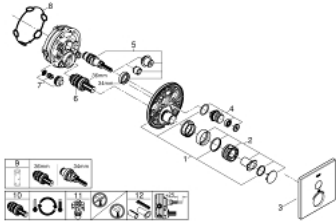


PRODUCT DESCRIPTION

- Colour: chrome
- Required rough-in-set sold separately (GROHE Rapido SmartBox 35 601 000)
- Metal wall escutcheon with GROHE FastFixation (covered escutcheon and shaft sealing, covered fixing), 6° angle adjustable
- 10 mm thin profile escutcheon
- GROHE LongLife finish
- GROHE SmartControl - control the shower with intuitive push/turn button
- exchangeable symbols
- GROHE TurboStat - compact cartridge with wax thermoelement
- GROHE SafeStop - safety button at 100°F/38°C
- GROHE SafeStop Plus - temperature limiter at 115° F/46° C
- Built-in check valve with dirt strainer
- Requires Rough-In Set (29 038 001) (sold separately)
- Maximum flow performance: 7.7gpm (29L/min) @ 43.5 psi (3 bar)
- Optional flow reducer for CALGreen compliance included



29 140 000 GROHTHERM SMARTCONTROL THERMOSTAT FOR CONCEALED INSTALLATION WITH ONE VALVE



SPARE PARTS, June 2018 – spareParts.validDate.now

- 1: Mounting plate (Order-nr. 48362000)
 - 2: Temperature control handle (Order-nr. 49029000)
 - 2.1: Cover cap (Order-nr. 1015030000)
 - 2.2: handle adaptor (Order-nr. 1015059990)
 - 3: Escutcheon (Order-nr. 49050000)
 - 4: Push button (Order-nr. 48361000)
 - 4.1: pushbutton (Order-nr. 14077000)
 - 5: Cartridge (Order-nr. 48359000)
 - 5.1: Spindle (Order-nr. 49088000)
 - 6: 3/4" Thermostatic compact cartridge (Order-nr. 49028000)
 - 7: Non-return valve (Order-nr. 49085000)
 - 8: Seal (Order-nr. 48360000)
 - 9: Socket spanner (Order-nr. 49059000)*
 - 10: 3/4" Reversed TurboStat Cartridge (Order-nr. 49003000)*
 - 11: **Service Stops** (Order-nr. 1405300M)*
 - 12: Universal extension set single-lever mixers, 25 mm (Order-nr. 14048000)*
- * Optional accessories