

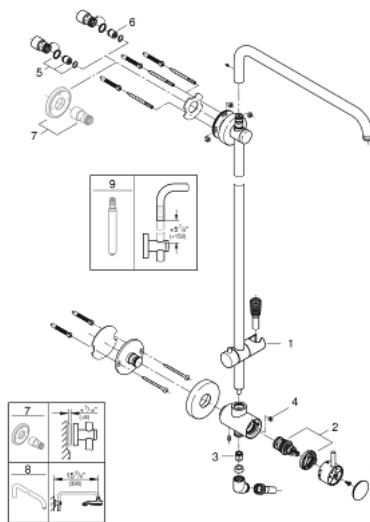
26 485 000 RETRO-FIT SYSTEM SHOWER SYSTEM WITH DIVERTER FOR WALL MOUNTING



PRODUCT DESCRIPTION

- Colour: chrome
- consisting of:
 - horizontal swivable 450 mm shower arm
 - built-in diverter allows change between:
 - 6 diverter functions (2 discrete functions (non shared) + one shared function in both standard and Eco flow)
 - head shower and hand shower (not included)
 - gliding element
- Distance between diverter and upper bracket: 653 mm
- Rotaflex Metal Long-Life TwistStop shower hose 1.50 m (28 417)
- Angle adapter to prevent hose interfering with shower valve
- optional 6.6 l/min flow limiter included
- GROHE LongLife finish
- Inner WaterGuide - inner insulation for surface protection
- TwistStop - to prevent hose from twisting
- Suitable for instantaneous heaters from 18 kW/h
- min. recommended pressure 1.0 bar
- system includes 2 back flow preventers
- Optional compensation disc (26 030) available for uneven wall installation
- Optional height extension (26 464) available for raising the shower head
- CALGreen compliant

26 485 000 RETRO-FIT SYSTEM SHOWER SYSTEM WITH DIVERTER FOR WALL MOUNTING



SPARE PARTS, November 2016 – spareParts.validDate.now

- 1: Glide element (Order-nr. 12140000)
 - 2: 3-Way Diverter Valve & Trim (Order-nr. 48058000)
 - 4: Flow limiter (Order-nr. 48160000)
 - 5: Non-return valve (Order-nr. 48184000)
 - 6: Non-return valve (Order-nr. 08565000)
 - 7: Spacer (Order-nr. 26030000)*
 - 8: Shower arm for shower systems (Order-nr. 14047000)*
 - 9: 6" Height Extension (Order-nr. 26464000)*
- * Optional accessories